

Large Push or Pull Work Solenoid

The large work solenoid developed by TLX Technologies is a heavy duty industrial solenoid suitable for a variety of applications. This large work solenoid is suited for applications requiring high forces and long strokes, is available in continuous, intermittent or pulse duty and can be designed as either a push or pull solenoid.

With typical strokes up to two inches and forces up to 70 pounds, this base model allows for a quick turn customization to meet your application requirements. Quick turn modifications include various coil voltages and insulation classes, mounting and plunger variations, spring returns and more.



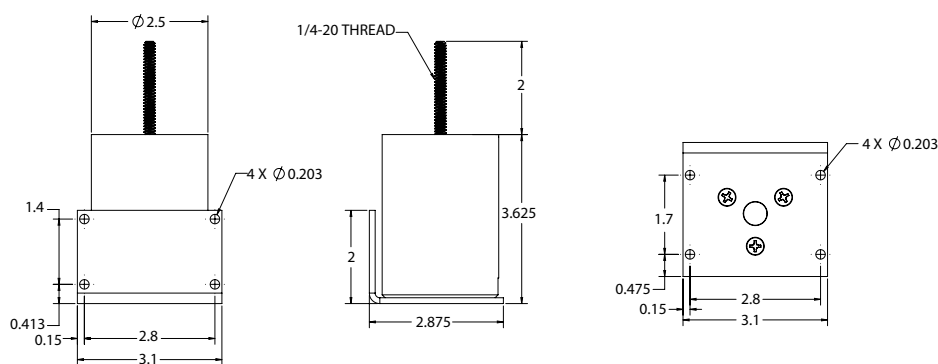
PA0410

Features & Benefits

- Long strokes and high forces
- 100/50/10% duty-cycles
- Peak & hold capability
- Push and pull models available
- Various voltages and power levels
- Class F temperature rating
- Zinc plated components
- Mounting variations
- Quick turn customization

Typical Specifications (base model is not limited to the data listed below)

Model	Pole	Max. Stroke in Inches	Power in Watts	Duty Cycle		Force in Pounds at 100% Voltage Stroke in Inches						
						Hold	0.25	0.5	0.75	1	1.5	2
PA0410	No Pole	2	49	Continuous	Cold	95	15	10.2	6	5	3.4	2.3
			37	Continuous	Hot	87	8.8	5.4	2.8	2.4	1.4	0.7
			99	Intermittent/50%	Cold	130	32	15.8	11.1	10.7	7.3	4.4
			308	Pulse/10%	Cold	180	58	44.7	32.1	26.7	19.5	11.7
	Conical Pole	2	49	Continuous	Cold	40	17	11	7.5	5	2.5	1
			37	Continuous	Hot	30	9.3	5.8	3.6	2.4	1.3	0.4
			99	Intermittent/50%	Cold	54	33.4	23.5	17	11.6	5.6	2.4
			308	Pulse/10%	Cold	83	63	49.5	36.6	25.5	11	3.9



Note: Drawing shows pull model. For the push model, a stainless-steel push rod extends through the bottom mounting plate.

